
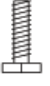



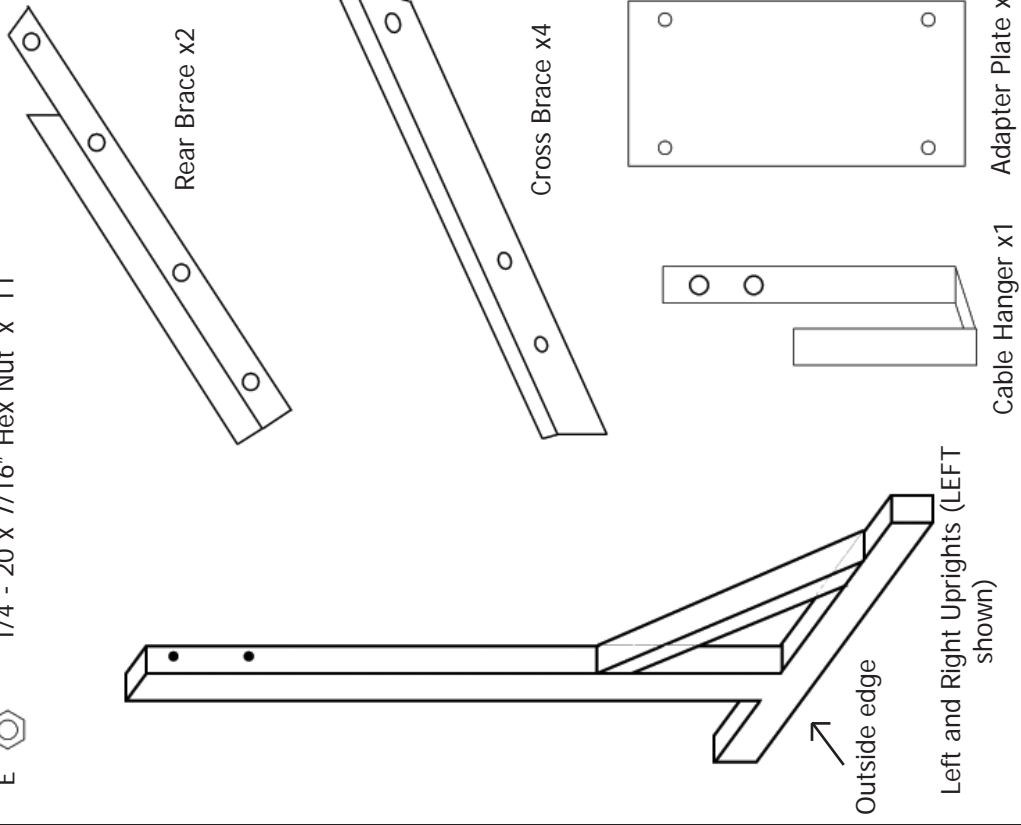
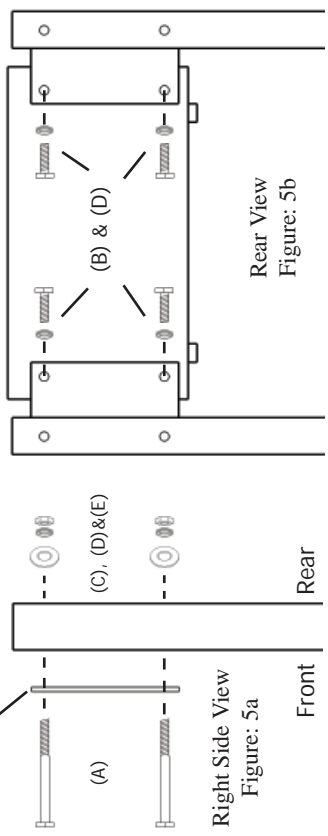


# Mainframe Stand Assembly

- A  1/4 - 20 x 2-1/2" Hex Head Bolt x 4
- B  1/4 - 20 x 3/4" or 20 x 1/2" Hex Head Bolt x 13
- C  1/4 x 3/4 Flat Washer x 4
- D  1/4 Split Lock Washer x 17
- E  1/4 - 20 x 7/16" Hex Nut x 11



## 5 Zone Adapter Plate



6.) 5 Zone Mounting - Mounting 5 Zone cabinets require use of 5 Zone Adapter plates. Mount plates to front of the stand using hardware shown on Figure: 5a then mount mainframe to the stand as shown on Figure: 5b.

7.) Standard Mounting - Mount system to the stand using the hardware shown in Figure: 6. Optional cable hanger should also be mounted if desired. Stand will support systems of up to 60 zones.

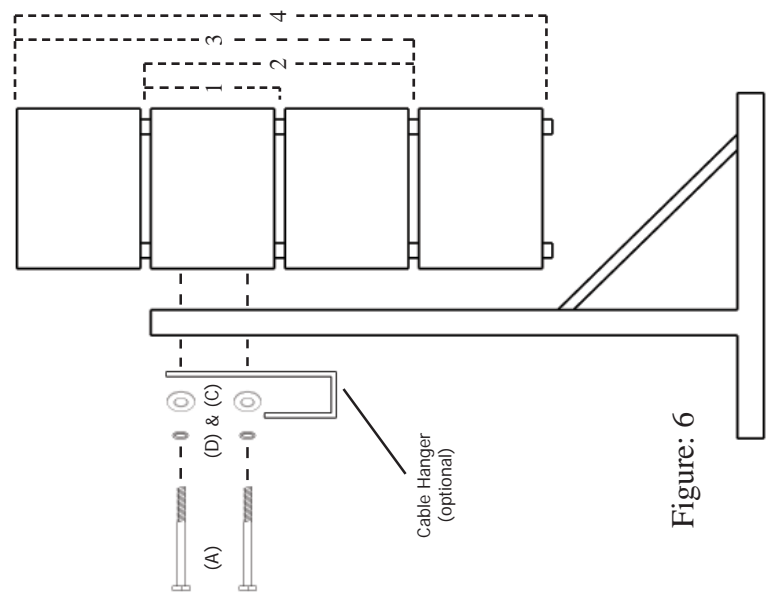


Figure: 6

Make sure all parts are included before proceeding. Recommended 2 people to assemble.

- 1.) Take the 2 rear brace parts, holes facing up and tabs facing out, form a "U" channel and fasten using hardware as shown below.

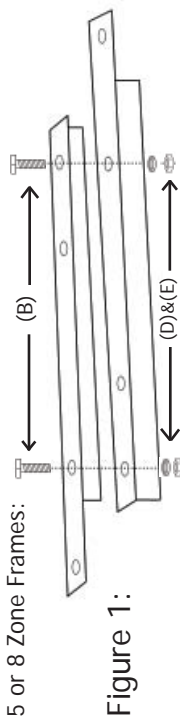


Figure 1:

12 Zone Frames:

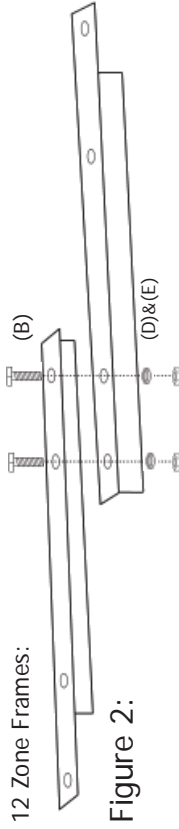


Figure 2:

- 2.) Position uprights so the edges of the angle supports face inward (note: cabinet mounting holes are closer together when properly positioned). Bolt the brace to the rear of the upright base as shown.

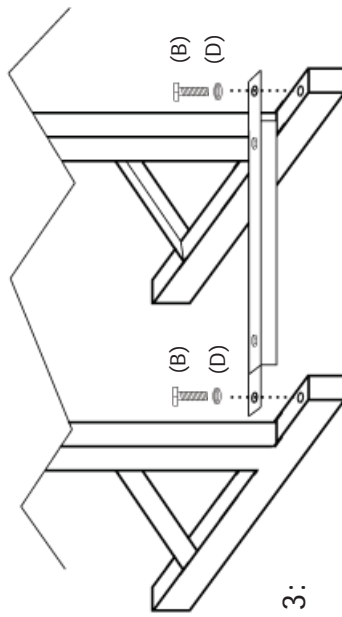


Figure 3:

- 3.) With uprights facing forward, bolt a cross-brace (angled cut end) to the **top of the upper right and lower left** angle brace (Figure 4a). Bolt the last two cross braces to the **bottom of the upper left and lower right** angle braces (Figure 4b).
- 4.) Align the cross braces so the pre-drilled hole meets at the center and secure with hardware as shown (Figure 4c).
- 5.) Tighten all hardware.

Figure 4a:

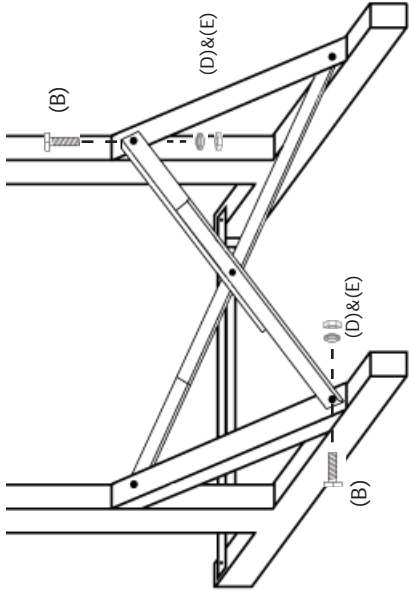


Figure 4b:

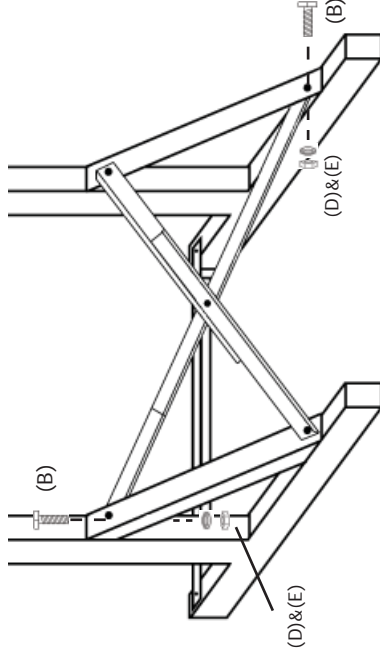


Figure 4c:

