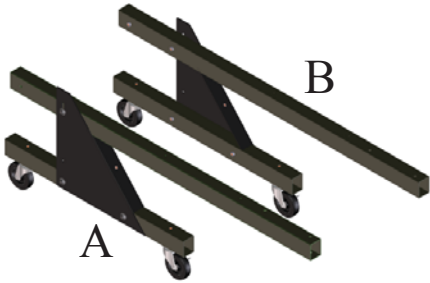


# MAINFRAME STAND ASSEMBLY



A

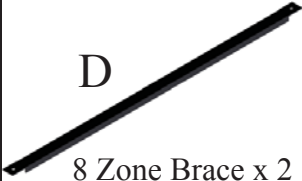
Left and Right Uprights

B



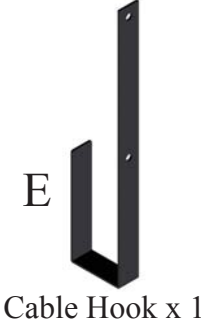
12 Zone Brace x 2

C



D

8 Zone Brace x 2



E

Cable Hook x 1



F

5 Zone Adapter Plate x 2



G 1/4-20x2-1/2 Hex Cap Bolt x 4



H 1/4-20x2 Hex Cap Bolt x 2



I 1/4-20x3/4 Hex Cap Bolt x 8



J 1/4 Split Lock Washer x 14



K 1/4 Flat Washer x 14



L 1/4-20 Nut x 4

Make Sure all parts are included before proceeding. Recommended 2 persons to assemble.

1.) **Loosen** the top bolt on the upright. (Figure 1)

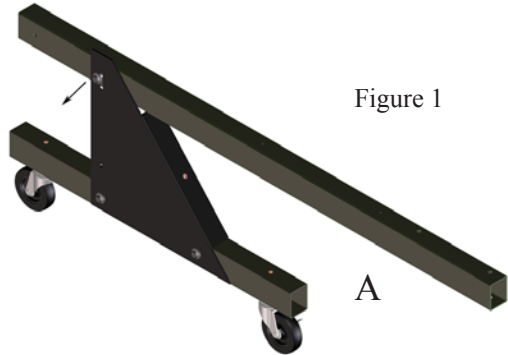


Figure 1

Figure 2

2.) Rotate the main bar and align the bolt holes. Insert hardware, and tighten the bolts back down. (Figure 2)

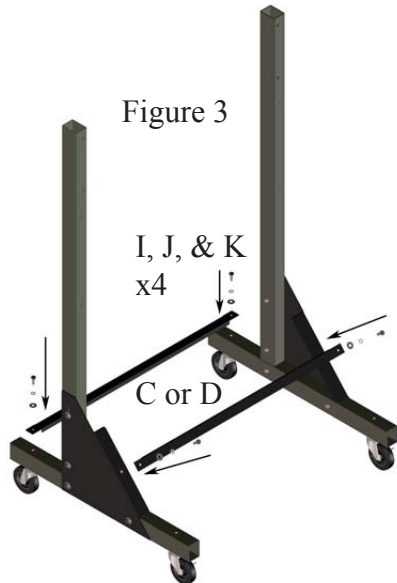


H, J, & K

3.) Repeat steps 1 and 2 for the right side upright.

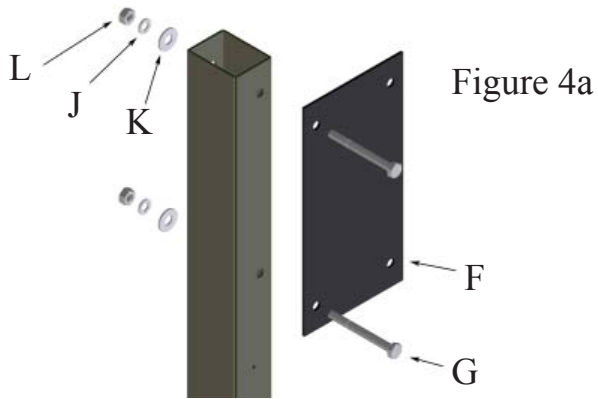
Figure 3

4.) Install braces using listed hardware. If the stand is for a 12 zone system, use part C. If it is for a 5 or 8 zone, use part D.

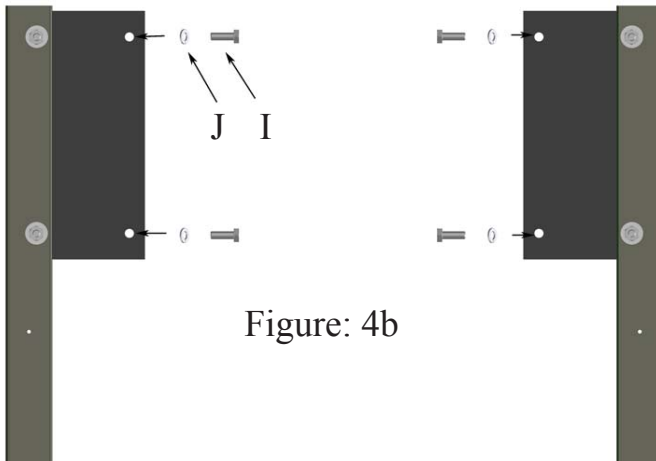


I, J, & K  
x4

C or D



5.) 5 Zone Mounting - Mounting the 5 zone cabinet requires use of the the 5 zone adapter plates. Mount plates to the front of the stand using hardware shown in Figure: 4a.



6.) Fasten the mainframe to the adapter plates using the hardware shown in Figure 4b.

7.) Standard Mounting - Mount system to the stand using the hardware shown in Figure: 5. Optional cable hanger should also be mounted if desired. Stand will support systems of up to 60 zones.

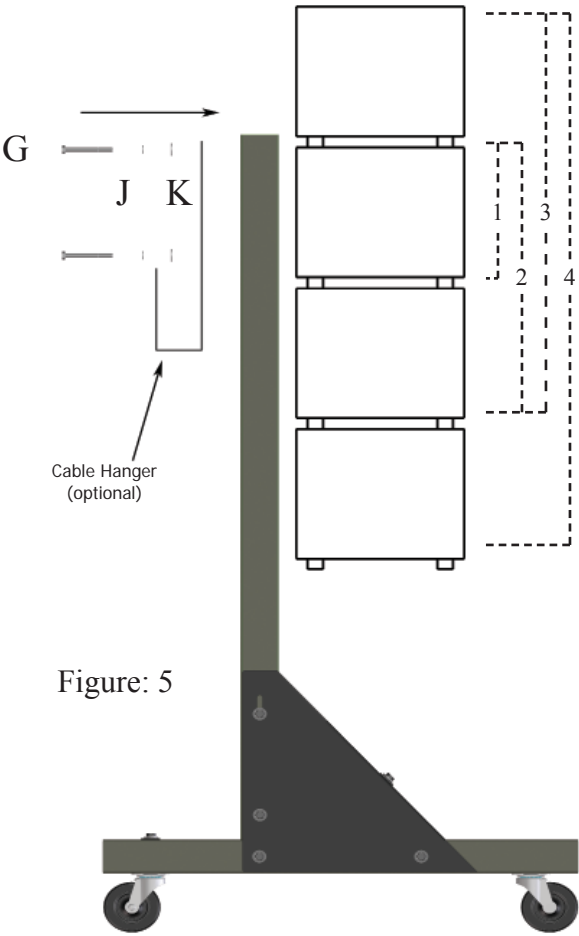


Figure: 5